

Dynaco 277 Series



Overview:

Product Features:

- *Cartridge Valve Assembly for reduced interference
- *Five speed ratios and eighteen output options
- *Industry First Rotatable Wet Spline

Markets:

- * Refuse
- * Aerial
- * Snow & Ice Removal
- * Fire & Rescue



Product Features and Benefits:

Contact Information:

Dynaco Hydraulic Co., Ltd.

Huilong Industrial Zone 39,
Ningbo, Zhejiang, China

Tel: 86-25-85360418

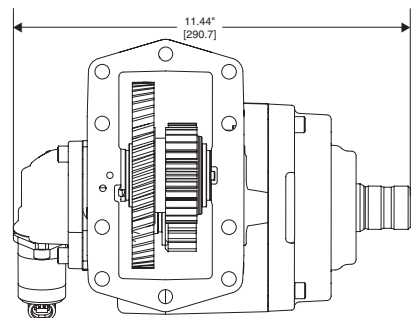
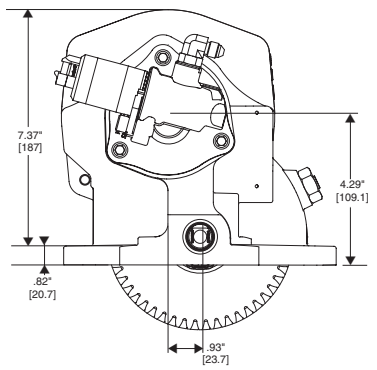
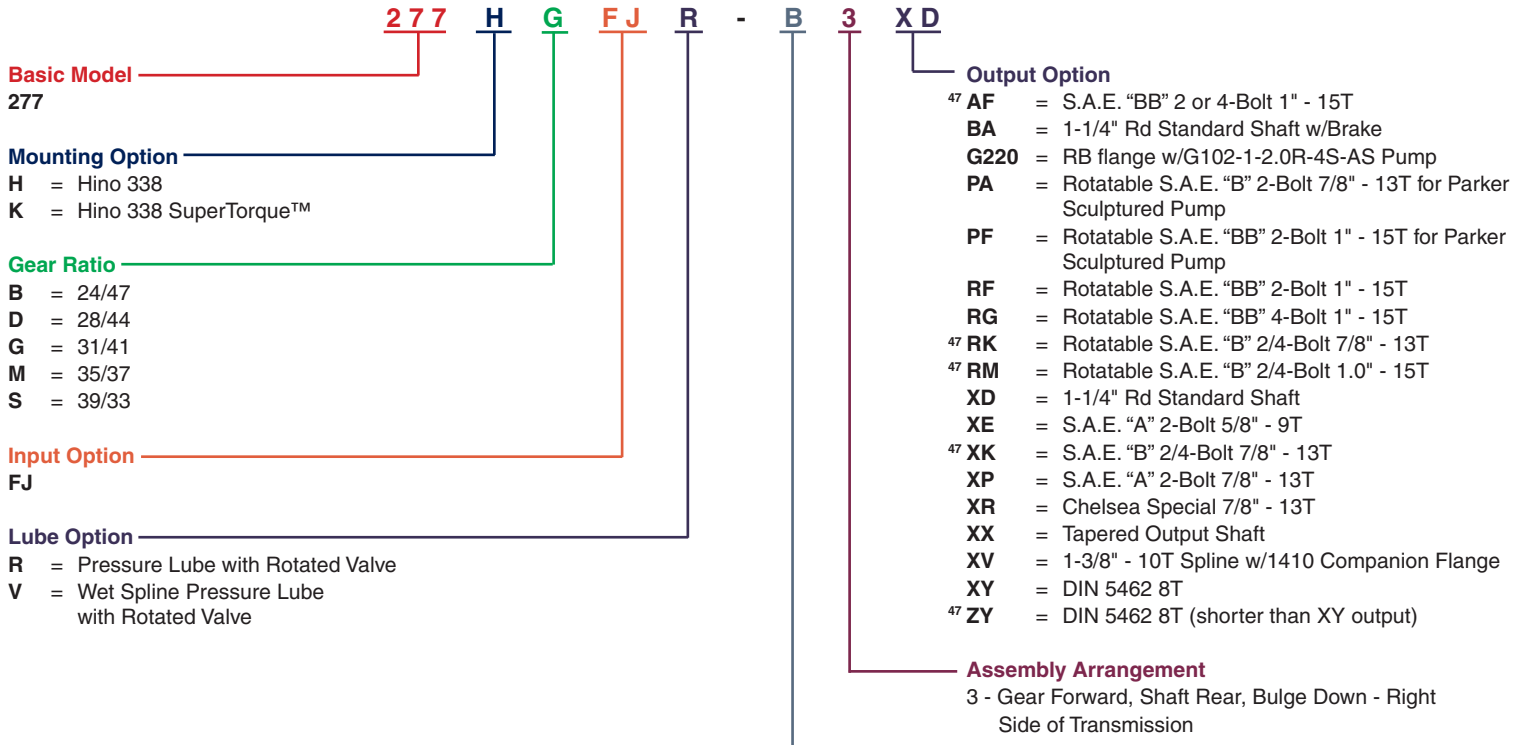
Email: info@dynacohydraulic.com

Web: www.dynacohydraulic.com

- Exceeds the torque capacity of a 6-Bolt P.T.O. while offering the tighter sealing of a 10-Bolt pattern
- Five speed ratios and eighteen output options
- Combo Valve shift option available for P.T.O./Dump Pump systems
- SuperTorque™ gears available for 20% higher intermittent torque ratings
- Cartridge Valve Assembly for reduced interference
- Wet Spline Options available
- Shaft Brake option (patent #7159701) available for product pump applications
- Industry First Rotatable Wet Spline

Dynaco
Your Source for Hydraulic Pump & Parts

277 SERIES POWER TAKE-OFF SPECIFICATIONS AND TECHNICAL DATA



- Shift Option**
 B = 12V Hydraulic Valve
 D = 24V Hydraulic Valve
 F = 24V Remote Valve Kit 329392X (Europe only)
 G = 12V Remote Hydraulic Valve
 H = 24V Remote Hydraulic Valve
 K = 12V Electronic Overspeed Ctrl
 L = 24V Electronic Overspeed Ctrl
 M = 12V Minus Installation Kit 329024-12X (Europe only)
 N = 24V Minus Installation Kit 329024-24X (Europe only)
 S = P.T.O. & Combo Valve
 T = P.T.O. & Combo Valve Less Kick Out & Neutral Spring Return

⁴⁷ Can be ordered with or without Wetspline

Specifications Chart

	277*B	277*D	277*G	277*M	277*S	277KB	277KD	277KG	277KM	277KS
Standard Output Shaft Size	1-1/4" Round w/key									
Intermittent Torque Rating (Lbs. ft.)	335	325	300	265	250	402	390	360	318	265
Intermittent Torque Rating (N.m.)	454	441	407	359	339	545	529	488	431	359
Horsepower Rating for Intermittent Service	SuperTorque™									
At 500 R.P.M. of Output Shaft (HP)	32	31	29	25	24	38	37	34	30	25
At 1000 R.P.M. of Output Shaft (HP)	64	62	57	50	48	77	74	69	61	50
At 500 R.P.M. of Output Shaft (Kw)	24	23	21	19	18	29	28	26	23	19
At 1000 R.P.M. of Output Shaft (Kw)	48	46	43	38	36	57	56	51	45	38
Approximate Weight:	49 lbs. [22 kg]									

